

Multi-Seal® Resilient Seated Gate Valve – Water

PN10/16 Temp -20°C to 70°C DN40 to DN300

- ✓ Low Torque Closure
- ✓ Multi-Seal® Security Wedge
- ✓ Integral Low Friction Guides
- ✓ Superior Rubber Technology Exceeds EN681-1
- ✓ High Grade Valve Construction ZERO Maintenance – ‘Valve for Life’
- ✓ Multi-Seal® Wedge – Advanced Technology for absolute tight shut off and low torque operation
- ✓ Wedge ductile iron GGG50, encapsulated with EPDM
- ✓ Low friction guides integrally vulcanized for security
- ✓ Ductile iron body & bonnet – Coated 250 µm FBE
- ✓ Body/bonnet bolts stainless steel, sealed with hot melt
- ✓ Stem ‘O’ rings replaceable under pressure

Available with a wide range of operating gear and actuation including cap top & handwheel.

Technical information

Valve design, testing & certified materials for potable water as required by:

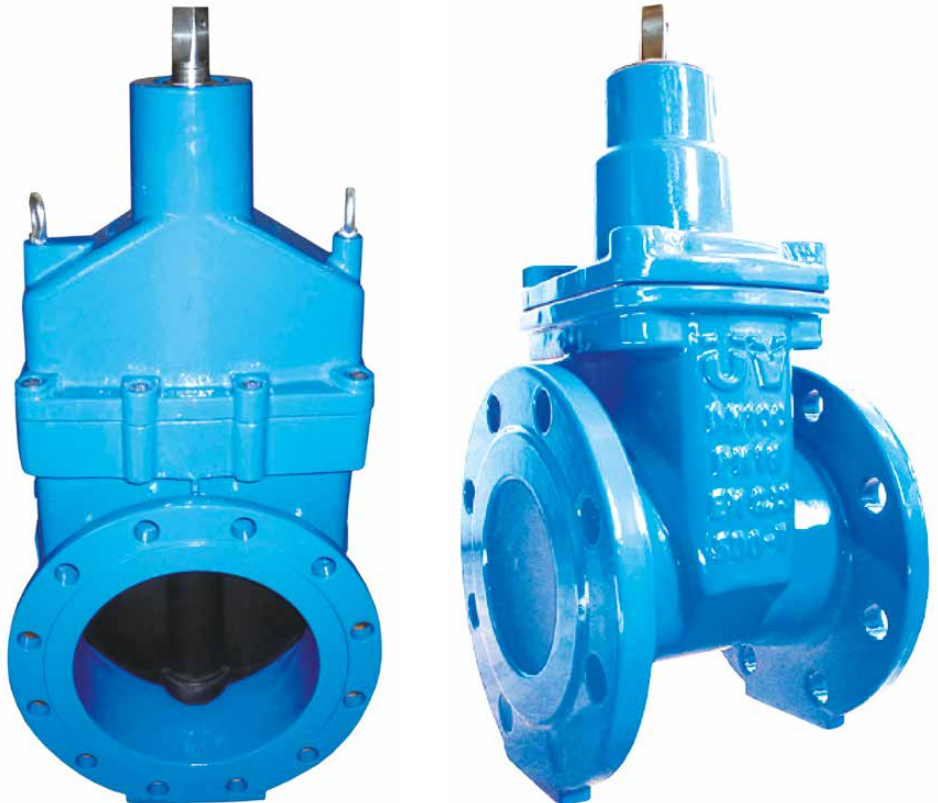


Manufacture

BS EN ISO 9001:2008 QMS,
ISO 14001:2004 EMS.

Design Standard

BS EN1171 Cat 3 & 4,
BS EN 1074 pt 1 & 2,
BS5163 Type A & Type B,
DIN 3352 pt 1 & 4,
EN588 Series 3, 14 & 15,
Bonnet top to GW336.

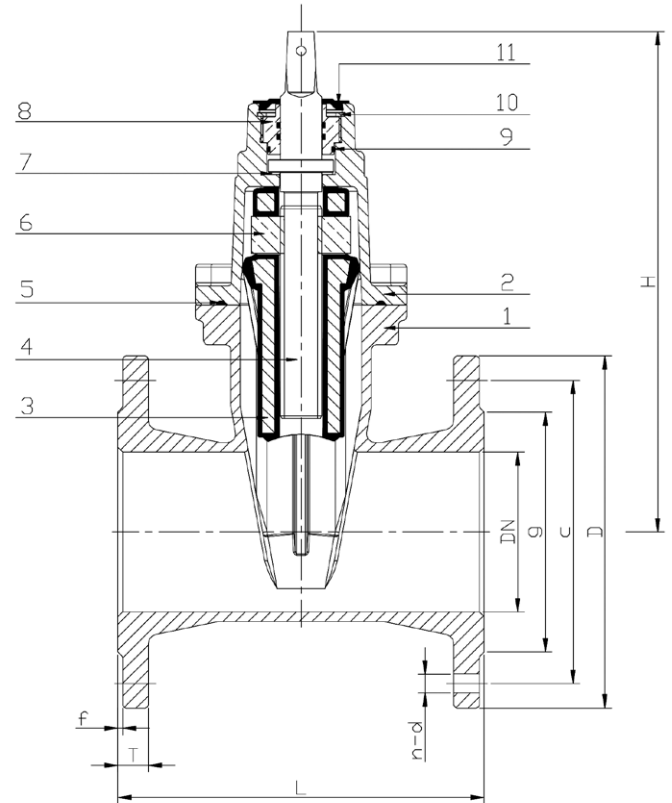


Multi-Seal® Resilient Seated Gate Valve – Water

PN10/16 Temp –20°C to 70°C DN40 to DN300

Materials List

NO.	NAME	MATERIAL
1	BODY	DUCTILE IRON GGG50 COATED 250 µm FBE
2	BONNET	DUCTILE IRON GGG50 COATED 250 µm FBE
3	WEDGE	GGG50 ENCAPSULATED WITH EPDM
4	STEM	STAINLESS STEEL 1.4021 or 1.4057 Type B
5	MIDDLE GASKET	EPDM
6	STEM NUT	ALUMINIUM BRONZE CuAl10Fe3 or CuAl10Ni5Fe4 Type B
7	WASHER	POM
8	BRUSH	ALUMINIUM BRONZE CuAl10Fe3 or CuAl10Ni5Fe4 Type B
9	“O” RINGS	NBR
10	CIRCLIP	STAINLESS STEEL 304
11	DUSTSEAL	NBR
12	WEDGE GUIDES	NYLON



Dimensions table

DN (mm)	L (mm)			H1 (mm)		H (mm)	Flange dimensions comply with EN1092-2										
	F4	F5	BS5163	1.6 Mpa	1.6 Mpa		D		c		g		f	T		n-d	
							1.0 Mpa	1.6 Mpa	1.0 Mpa	1.6 Mpa	1.0 Mpa	1.6 Mpa		1.0 Mpa	1.6 Mpa	1.0 Mpa	1.6 Mpa
40	130	240	165	75		220	150		110		84		3	18		4-19	
50	150	250	178	82.5		240	165		125		99		3	19		4-19	
65	170	270	190	92.5		260	185		145		118		3	19		4-19	
80	180	280	203	100		300	200		160		132		3	19		8-19	
100	190	300	229	110		315	220		180		156		3	19		8-19	
125	200	325	254	125		400	250		210		184		3	19		8-19	
150	210	350	267	142.5		410	285		240		211		3	19		8-23	
200	230	400	292	170		520	340		295		266		3	20		8-23	12-23
250	250	450	330	197.5	202.5	600	395	405	350	355	319		3	22		12-23	12-28
300	270	500	356	222.5	230	698	445	460	400	410	370		4	24.5		12-23	12-28

Severn Utilities Valves reserves the right to change product design and specification without notice