

Resilient Seated Gate Valve – Socket Ends for U-PVC pipe

PN10/16 Temp -20°C to 70°C DN80 to DN300

- ✓ Low Torque Closure
- ✓ Integral Low Friction Guides
- ✓ Superior Rubber Technology
Exceeds EN681-1
- ✓ Flat Bottom Steel Ring – no cavity
- ✓ High Grade Valve Construction
- ✓ ZERO Maintenance – ‘Valve for Life’
- ✓ Wedge Technology for absolute tight shut off and low torque operation
- ✓ Wedge ductile iron GGG 50, encapsulated with EPDM
- ✓ Low friction guides integrally vulcanized for security
- ✓ Ductile iron GGG 50 body & bonnet – Coated 250 µm FBE
- ✓ Body/bonnet bolts stainless steel, sealed with hot melt
- ✓ Stem ‘O’ rings replaceable under pressure

Available with cap top or handwheel operation.



Technical information

Valve design, testing & certified materials for potable water as required by:



Manufacture

BS EN ISO 9001:2008 QMS,
ISO 14001:2004 EMS.

Design Standard

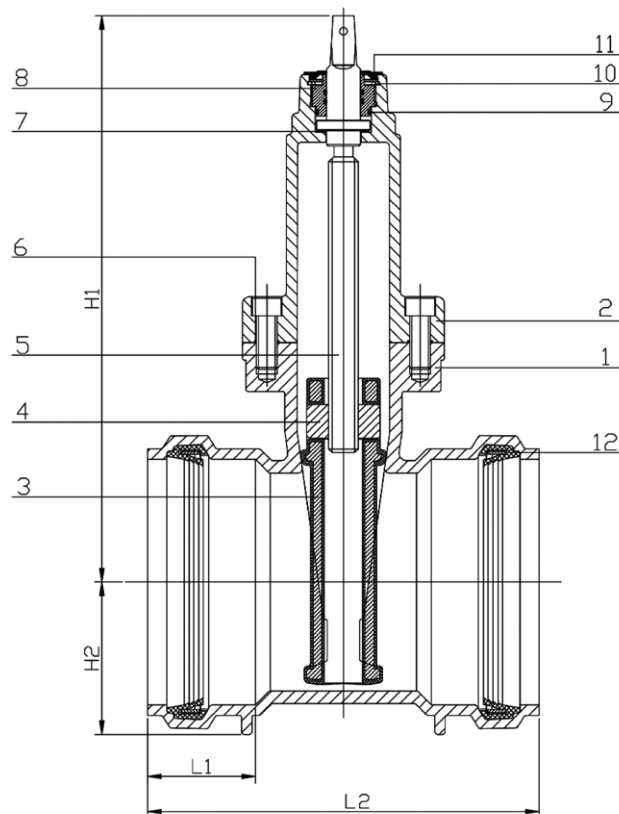
DIN 3352pt 4, BSEN 1074 pt 1 & 2,
F/F to DIN3202 (ISO 5752),
Bonnet top to GW336.

Resilient Seated Gate Valve – Socket Ends for U-PVC pipe

PN10/16 Temp -20°C to 70°C DN80 to DN300

Materials List

| No. | Name | Material |
|-----|---------------|--------------------------------------|
| 1 | BODY | Ductile Iron GGG50 Coated 250 µm FBE |
| 2 | BONNET | Ductile Iron GGG50 Coated 250 µm FBE |
| 3 | WEDGE | GGG50 Encapsulated with EPDM |
| 4 | STEM NUT | Aluminium Bronze ZCuAl10Fe3 |
| 5 | STEM | Stainless Steel 1.4021 |
| 6 | MIDDLE GASKET | EPDM |
| 7 | WASHER | POM |
| 8 | BUSH | Aluminium Bronze ZCuAl10Fe3 |
| 9 | 'O' RINGS | NBR |
| 10 | CIRCLIP | Stainless Steel 304 |
| 11 | DUST SEAL | NBR |
| 12 | SEAL GASKET | EPDM |



Dimensions table

| DN | Outside Diameter of the Pipe | L1 (mm) | L2 (mm) | H1 (mm) | H2 (mm) |
|-----|------------------------------|---------|---------|---------|---------|
| 50 | 64 | 72 | 250 | 260 | 49 |
| 80 | 90 | 95 | 280 | 310 | 66 |
| 110 | 110 | 100 | 300 | 340 | 76 |
| 150 | 160 | 115 | 350 | 460 | 105 |
| 175 | 200 | 120 | 400 | 570 | 128 |
| 200 | 225 | 130 | 400 | 570 | 140 |
| 300 | 315 | 160 | 530 | 770 | 192 |

Severn Utilities Valves reserves the right to change product design and specification without notice