

Swing Check Valve – Resilient Seated

PN10/16 Temp -20°C to 70°C DN50 to DN1000

- ✓ Resilient Seated Tight Closure Disc
- ✓ Elliptical Seat Large Cross Sectional Flow
- ✓ Quick Closing Seat angle
- ✓ EPDM Encapsulated Disc
- ✓ Robust Maintenance Free Design
- ✓ Valve Body, Disc and Cover Ductile Iron GGG50
- ✓ Internal Trim Stainless Steel and Aluminium Bronze
- ✓ Seat Seal EPDM (W270)
- ✓ Body & Cover Coated 250 µm FBE
- ✓ Fasteners Stainless Steel
- ✓ Body Horizontal / Mounting Feet – Assists Installation



Technical information

Materials for potable water as required by:



Manufacture

BS EN ISO9001:2008 QMS,
ISO 14001:2004 EMS.

Design Standard

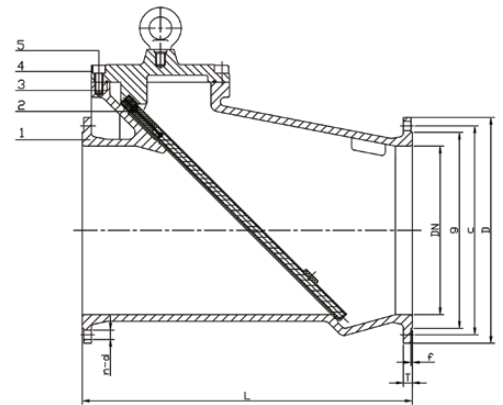
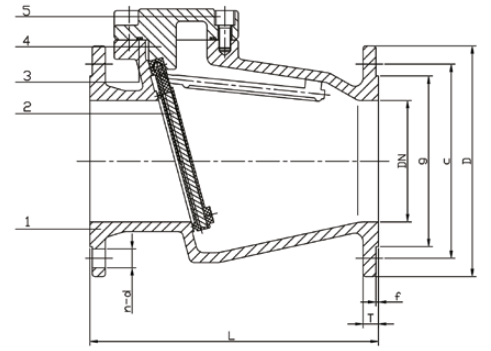
EN 12334, BS EN 1074-3,
AWWA A508,
F/F EN 558 Series 10 & 48.

Swing Check Valve – Resilient Seated

PN10/16 Temp –20°C to 70°C DN50 to DN1000

Materials List

No.	Name	Material
1	BODY	DUCTILE IRON GGG50 COATED 250 µm FBE
2	DISC	DUCTILE IRON GGG50 ENCAPSULATED WITH EPDM
3	BODY GASKET	EPDM
4	BONNET	DUCTILE IRON GGG50 COATED 250µm FBE
5	BOLT	STAINLESS STEEL A2-70



Dimensions table

DN	L		Flange dimensions comply with EN1092-2										
	BS EN558 Series 10 BS5150	BS EN558 Series 48 DIN3202-F6	D		C		g		f	T		n-d	
			1.0 Mpa	1.6 Mpa	1.0 Mpa	1.6 Mpa	1.0 Mpa	1.6 Mpa		1.0 Mpa	1.6 Mpa	1.0 Mpa	1.6 Mpa
50	203	200	165	165	125	125	99	99	3	19.0	19.0	4-19	4-19
65	216	240	185	185	145	145	118	118	3	19.0	19.0	4-19	4-19
80	241	260	200	200	160	160	132	132	3	19.0	19.0	8-19	8-19
100	292	300	220	220	180	180	156	156	3	19.0	19.0	8-19	8-19
125	330	350	250	250	210	210	184	184	3	19.0	19.0	8-19	8-19
150	356	400	285	285	240	240	211	211	3	19.0	19.0	8-23	8-23
200	495	500	340	340	295	295	266	266	3	20.0	20.0	8-23	12-23
250	622	600	395	405	350	355	319	319	3	22.0	22.0	12-23	12-28
300	698	700	445	460	400	410	370	370	4	24.5	24.5	12-23	12-28
350	787	–	505	520	460	470	429	438	4	26.5	26.5	16-23	16-28
400	914	–	565	580	515	525	480	489	4	28.0	28.0	16-28	16-31
450	978	–	615	640	565	585	530	548	4	30.0	30.0	20-28	20-31
500	978	–	670	715	620	650	582	609	4	31.5	31.5	20-28	20-34
600	1080	–	780	–	725	–	682	–	5	30.0	30.0	20-31	–
700	1170	–	895	–	840	–	794	–	5	32.5	32.5	24-31	–
800	1270	–	975	–	920	–	878	–	5	35.0	35.0	24-31	–
900	1380	–	1115	–	1050	–	1001	–	5	37.5	37.5	28-34	–
1000	1500	–	1230	–	1160	–	1112	–	5	40.0	40.0	28-37	–

Severn Utilities Valves reserves the right to change product design and specification without notice.