

Silent Streamline Check Valve

PN10/16 Temp -20°C to 70°C DN50 to DN1000

- ✓ Silent Operation in vertical and horizontal pipelines
- ✓ Streamline Flow without Turbulence
- ✓ Spherical Inlet for Low Resistance Flow Coefficient
- ✓ Low Headloss Large Cross Sectional Flow Area
- ✓ No Air Entrapment with Improved Valve Cv
- ✓ Internal Trim Stainless Steel & Aluminium Bronze
- ✓ Body, Disc and Cone Coated 250 µm FBE
- ✓ Secure Operation, Resilient Seal Effective Closure
- ✓ Reduced Body Length and Lower Weight
- ✓ Valve Body, Disc and Cone Ductile Iron GGG 50
- ✓ Internal Trim Stainless Steel and Aluminium Bronze
- ✓ Seat Seal EPDM (W270)
- ✓ Body & Disc Coated 250 µm FBE
- ✓ Fasteners Stainless Steel
- ✓ Body Horizontal Mounting Feet-Assists Installation



Technical information

Materials for potable water as required by:



Manufacture

BS EN ISO 9001:2008 QMS,
ISO 14001:2004 EMS.

Design Standard

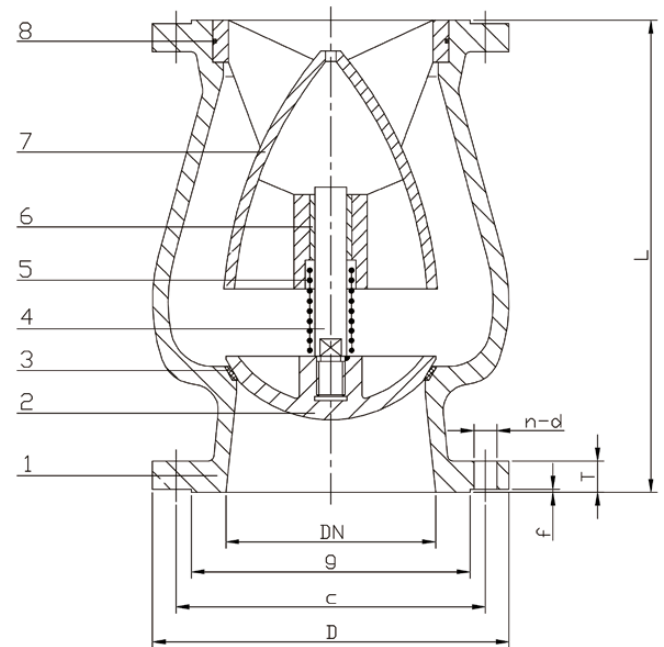
AWWA A508, EN 1074 pt 1-2,
F/F Manufacturers standard.

Silent Streamline Check Valve

PN10/16 Temp -20°C to 70°C DN50 to DN1000

Materials List

No.	Name	Material
1	BODY	DUCTILE IRON GGG50 COATED 250 µm FBE
2	DISC	ALUMINIUM BRONZE ZCuAl10Fe3
3	BODY SEAT	EPDM
4	STEM	HIGH TENSILE GRADE STAINLESS STEEL
5	SPRING	HIGH TENSILE GRADE STAINLESS STEEL
6	BUSH	ALUMINIUM BRONZE ZCuAl10Fe3
7	DEFLECTOR	DUCTILE IRON GGG50 COATED 250 µm FBE
8	“O” RING	NBR/EPDM



Dimensions table

DN	L	Flange dimensions comply with EN1092-2										
		D		C		g		f	T		n-d	
		1.0 Mpa	1.6 Mpa	1.0 Mpa	1.6 Mpa	1.0 Mpa	1.6 Mpa		1.0 Mpa	1.6 Mpa	1.0 Mpa	1.6 Mpa
50	120	165	165	125	125	99	99	3	19.0	19.0	4-19	4-19
65	150	185	185	145	145	118	118	3	19.0	19.0	4-19	4-19
80	180	200	200	160	160	132	132	3	19.0	19.0	8-19	8-19
100	240	220	220	180	180	156	156	3	19.0	19.0	8-19	8-19
125	300	250	250	210	210	184	184	3	19.0	19.0	8-19	8-19
150	350	285	285	240	240	211	211	3	19.0	19.0	8-23	8-23
200	450	340	340	295	295	266	266	3	20.0	20.0	8-23	12-23
250	500	395	405	350	355	319	319	3	22.0	22.0	12-23	12-28
300	500	445	460	400	410	370	370	4	24.5	24.5	12-23	12-28
350	600	505	520	460	470	429	429	4	24.5	26.5	16-23	16-28

Severn Utilities Valves reserves the right to change product design and specification without notice.