

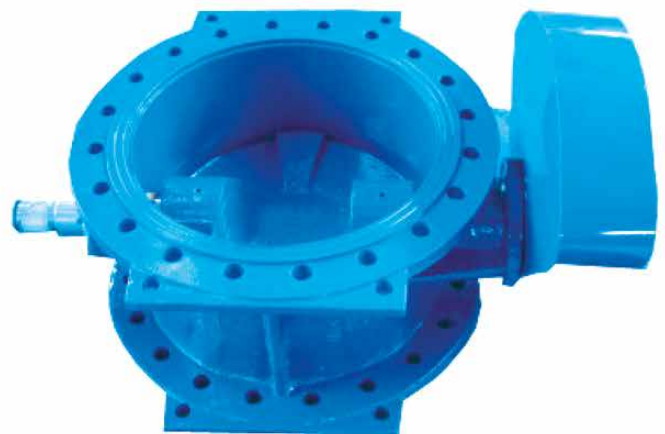
## Tilting Disc Check Valve

PN10/16 Temp -20°C to +70°C DN300 – DN1200

- ✓ Double Eccentric Disc
- ✓ Weight loaded, lever reversible and available with guards
- ✓ Also available with hydraulic damper
- ✓ Hard rubber lined body and disc option
- ✓ Higher pressure ratings and larger sizes also available
- ✓ Design in accordance to EN12334
- ✓ Flange connection in accordance to EN1092-2, PN10 / PN16
- ✓ Face to face in accordance to EN558-1 series 14
- ✓ Pressure test in accordance to EN122665
- ✓ Epoxy coated inside and outside minimum thickness of 250 µm

### Technical information

Materials for potable water  
as required by:

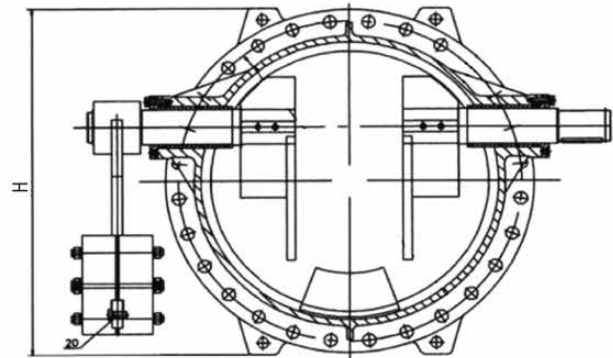
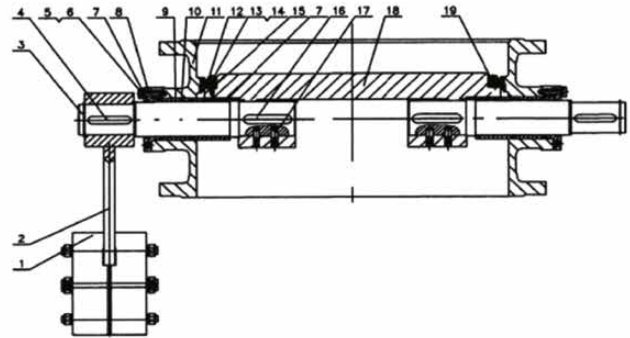


# Tilting Disc Check Valve

PN10/16 Temp -20°C to +70°C DN300 – DN1200

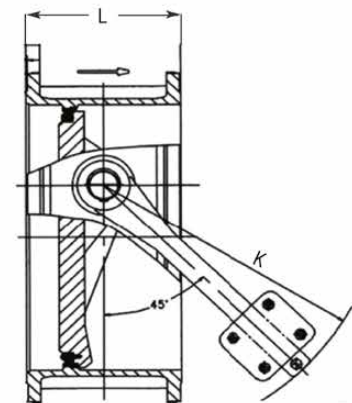
## Materials List

No.	Name	Material
1	Counterweight	Cast Iron GG 25
2	Lever	Carbon Steel
3	Shaft	St. Steel 1.4021
4	Key	St. Steel 1.4021
5	Bolt	A2-70
6	Washer	A2
7	O-Ring	EPDM
8	Cover	SS304
9	Bush	SS304
10	Self-lubricated bearing	PTFE & SS304
11	Body	GGG40 / SS304
12	Retaining Ring	SS304
13	Screw	A2-70
14	Washer	A2
15	Disc Seal Ring	EPDM (WRAS)
16	Key	SS420
17	Pin	SS420
18	Disc	GGG40 / FBE
19	Screw	A2-70
20	Bolt	A2-70



## Dimensions Table

DN	H	L	K
300	470	270	300
400	590	310	400
500	725	350	500
600	850	390	600
700	920	430	700
800	1035	470	800
900	1135	510	880
1000	1265	550	1000
1200	1495	630	1200



Note: PN10 & PN16 do have same dimensions except flange drilling.  
Severn Utilities Valves reserves the right to change product design and specification without notice.