

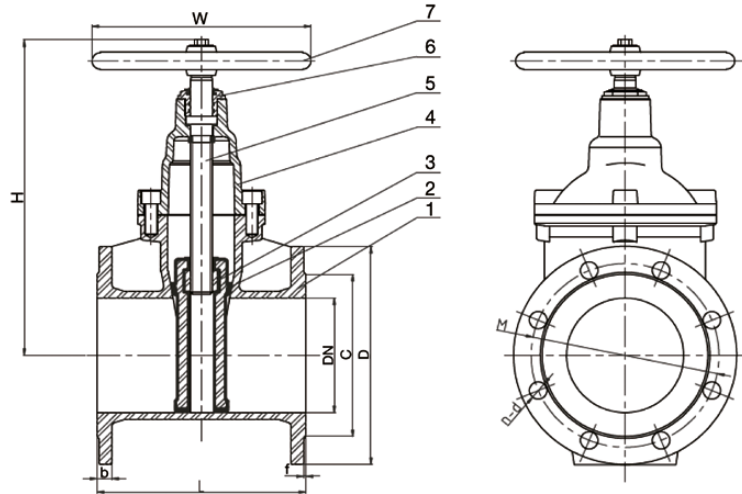
Resilient Seated Gate Valve

NRS – DIN F4 / F5, PN25

Technical Information

- ✓ Design standards in accordance with EN1171, 1074-1&2 (DIN3352-1&4)
- ✓ Flange and drilling in accordance with BS EN1092-2, PN25
- ✓ Face to Face in accordance to EN558-1, basic series 15 (DIN3202, F5) and basic series 14 (DIN3202, F4)
- ✓ Test and Inspection in accordance with EN 12266
- ✓ Suitable for potable water, raw water and neutral liquids to max 80°C
- ✓ Epoxy coating inside and outside minimum thickness of 250 µm

RSGV-Non Rising Stem – F4 / F5 – Short and Long Pattern



Cap Top version also available.

Specifications PN25

Nominal Pressure (Mpa)	2.5	
Testing Pressure (Mpa)	Body	3.75
	Seal	2.75
Working Pressure (Mpa)	2.5	
Suitable Temperature (°C)	< 80	
Suitable Medium	Water	

Dimensions Table

DN	L		H	C	D	M	B	N-d
	F4	F5						
40	140	240	232	84	150	110	19	4-19
50	150	250	266	99	165	125	19	4-19
65	170	270	275	118	185	145	19	8-19
80	180	280	295	132	200	160	19	8-19
100	190	300	340	156	235	190	19	8-23
125	200	325	385	184	270	220	19	8-28
150	210	350	420	211	300	250	20	8-28
200	230	400	520	274	360	310	22	12-28
250	250	450	635	330	425	370	24.5	12-31
300	270	500	712	389	485	430	27.5	16-31
350	290	550	875	448	555	490	30	16-34
400	310	600	978	503	620	550	32	16-37

Materials List

No.	Name	Material
1	Body	Ductile Iron
2	Wedge	DI and EPDM
3	Stern Nut	Al-Bronze
4	Bonnet	Ductile Iron
5	Stern	St. Steel 1.4021
6	Gland	Al-Bronze
7	Handwheel	Ductile Iron

Severn Utilities Valves reserves the right to change product design and specification without notice.