

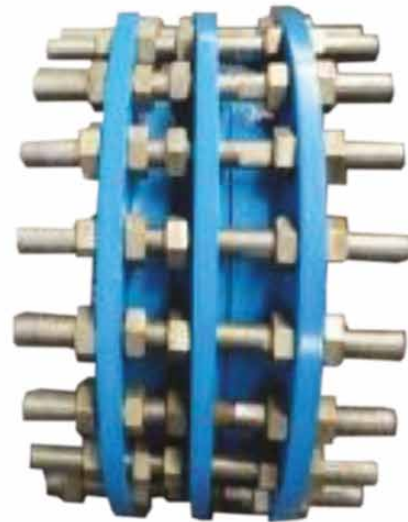
Dismantling Joint with Locking Device

DN80 – 2600, PN10

With stud and nuts to enable adjustable locking device, PN10 Flange ends on both sides in accordance to EN1092-2, ISO2532.

For easy installation and dismantling of valves and other pipeline equipment and equalisation of pipe forces.

- ✓ Flange in Accordance with BS EN1092-2, PN10
- ✓ Nominal Pressure: 10 bar
- ✓ Fusion Bonded Epoxy
- ✓ Rubber Ring Gasket
- ✓ Galvanized Steel Stud
- ✓ Alternative Pressure Ratings and Sizes Available On Request



Materials List

No.	Name	Material
1	Pipe	GGG40
2	Press Ring	GGG40
3	Seal Ring	EPDM
4	Body	GGG40
5	Stud	CS 8.8 galvanized
6	Nut	CS 8.8 galvanized

Studs and Nuts Also Available in A2 and A4 Stainless Steel

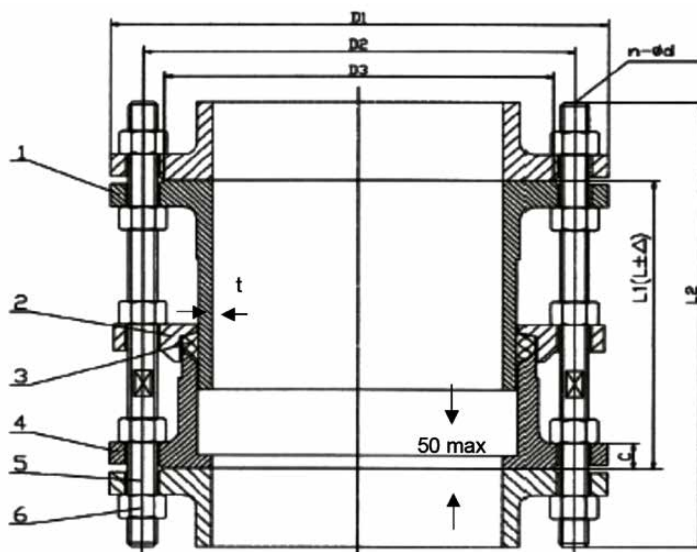
Technical information

Materials for potable water as required by:



Dismantling Joint with Locking Device

DN80 – 2600, PN10



Dimensions Table

DN	D4	D5	L1	L2	d-N	t
80	160	200	200	310	16-8	7.0
100	180	220	200	310	16-8	7.2
125	210	250	200	310	16-8	7.5
150	240	285	200	320	20-8	7.8
200	295	340	220	340	20-8	8.4
250	350	400	230	370	20-12	9.0
300	400	455	250	410	20-12	9.6
350	460	505	260	410	20-16	10.2
400	515	565	270	430	24-16	10.8
450	565	615	270	430	24-16	11.4
500	620	670	280	440	24-20	12.0
600	725	780	300	480	27-20	13.2
700	840	895	300	480	27-24	14.4
800	950	1015	320	520	30-24	15.6
900	1050	1115	320	520	30-28	16.8
1000	1160	1230	340	560	33-28	18.0
1100	1270	1340	340	560	33-32	19.2
1200	1380	1455	360	600	36-32	20.4
1400	1590	1675	380	630	39-36	22.8
1500	1700	1785	400	665	39-36	23.0
1600	1820	1915	400	700	45-40	25.2
1800	2020	2115	420	730	45-44	27.6
2000	2230	2325	440	730	45-48	30.0
2200	2440	2550	450	750	52-52	32.4
2400	2650	2760	460	770	52-56	34.8
2600	2850	2960	500	800	52-60	37.2

Severn Utilities Valves reserves the right to change product design and specification without notice. Further sizes and other technical standards on request.