

# Air Valve – Single Chamber

1" BSP – DN150, PN10/16

## Technical Information

- ✓ Flange Drilling in Accordance to BS EN1092-2, PN10/16
- ✓ Operating Temperature: -10°C – +80°C
- ✓ "BSP" thread according to ISO 228-1

## Options

- ✓ Available with or without connection Flange
- ✓ Available with or without 1" BSP isolation Ball Valve

## Materials List

No.	Name	Material
1	Flange	Carbon Steel
2	Nipple	Carbon Steel
3	Body	GGG40
4	Small Float	Polypropylene
5	Sealing Face	EPDM
6	Pin	SS304
7	Orifice Bracket	Brass
8	Orifice Cover	Brass
9	O-Ring	EPDM
10	Gasket	EPDM
11	Cover	GGG40
12	Screw	8.8 (galv.)

## Dimensions Table

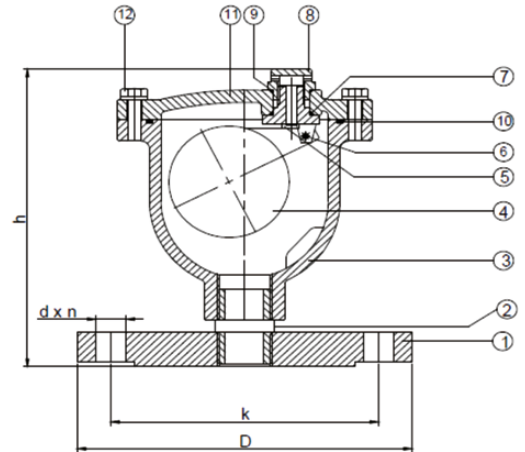
DN	h	D	k	d x n
1"	192.5	115	85	14-4
40	192.5	150	110	19-4
50	192.5	165	125	19-4
65	192.5	185	145	19-4
80	192.5	200	160	19-8
100	192.5	220	180	19-8
125	192.5	250	210	19-8
150	192.5	285	240	23-8

Severn Utilities Valves reserves the right to change product design and specification without notice.

Air Valve with or without flange



Air Valve inclusive Ball Valve and flange



## Technical information

Materials for potable water as required by:

