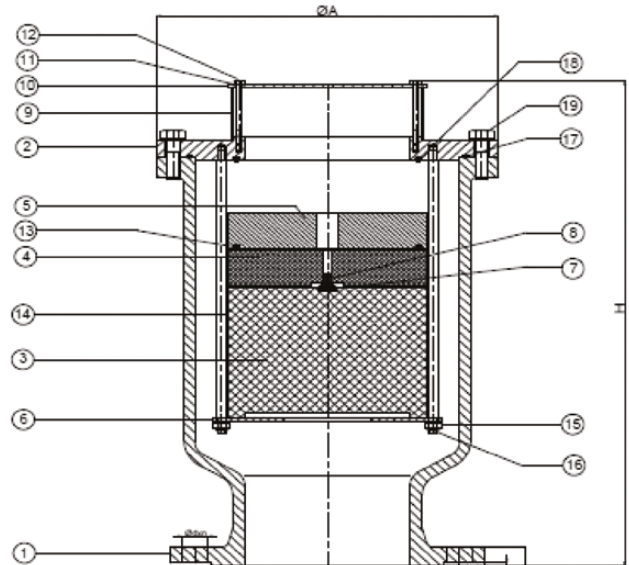


Air Valve – Single Chamber, Non Slam

PN16, DN25 – 200

Materials List

No.	Name	Material
1	Body	GGG 40
2	Cover	SS 316
3	Large Float	Polypropylene
4	Small Float	Polypropylene
5	Orifice	Polypropylene
6	Ring	SS 316
7	Gasket	EPDM/NBR
8	Small Orifice	SS 316
9	Filter	SS 316
10	Filter Cover	SS 316
11	Washer	SS 316
12	Stud	SS 316
13	O-Ring	EPDM/NBR
14	Cage	SS 316
15	Nut	SS 316
16	Washer	SS 316
17	O-Ring	EPDM/NBR
18	O-Ring	EPDM/NBR
19	Screw	SS 316



Dimensions Table

DN	H	A
25	205	105
50	284	155
80	334	200
100	378	230
150	488	310
200	580	420

Severn Utilities Valves reserves the right to change product design and specification without notice.

Technical information

Materials for potable water as required by:

