

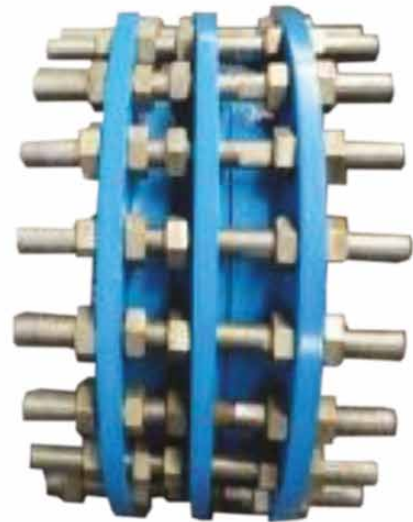
Dismantling Joint with Locking Device

DN80 – 2600, PN16

With stud and nuts to enable adjustable locking device, PN10 Flange ends on both sides in accordance to EN1092-2, ISO2532.

For easy installation and dismantling of valves and other pipeline equipment and equalisation of pipe forces.

- ✓ Flange in Accordance with BS EN1092-2, PN16
- ✓ Nominal Pressure: 16 bar
- ✓ Fusion Bonded Epoxy
- ✓ Rubber Ring Gasket
- ✓ Galvanized Steel Stud
- ✓ Alternative Pressure Ratings and Sizes Available On Request



Materials List

No.	Name	Material
1	Pipe	GGG40
2	Press Ring	GGG40
3	Seal Ring	EPDM
4	Body	GGG40
5	Stud	CS 8.8 galvanized
6	Nut	CS 8.8 galvanized

Technical information

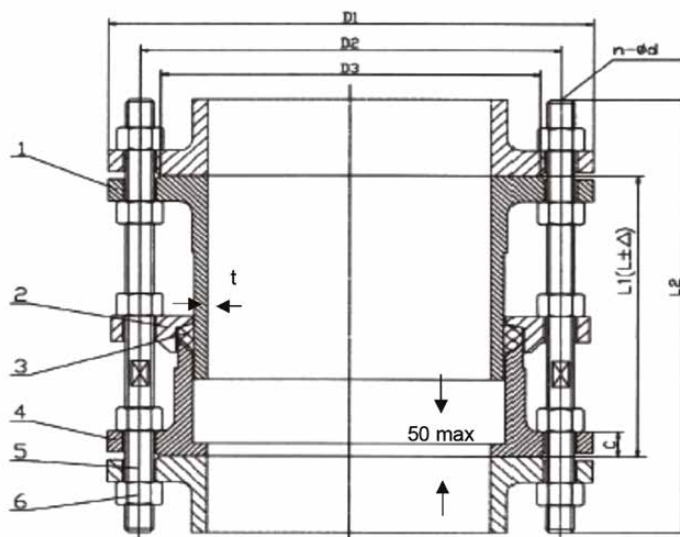
Materials for potable water as required by:



Studs and Nuts Also Available in A2 and A4 Stainless Steel

Dismantling Joint with Locking Device

DN80 – 2600, PN16



Dimensions Table

DN	D4	D5	L1	L2	d-N	t
80	160	200	200	310	16-8	7.0
100	180	220	200	310	16-8	7.2
125	210	250	200	310	16-8	7.5
150	240	285	200	320	20-8	7.8
200	295	340	220	340	20-12	8.4
250	355	400	230	370	24-12	9.0
300	410	455	250	410	24-12	9.6
350	470	520	260	410	24-16	10.2
400	525	580	270	430	27-16	10.8
450	585	640	270	430	27-20	11.4
500	650	715	280	440	30-20	12.0
600	770	840	300	480	33-20	13.2
700	840	910	300	480	33-24	14.4
800	950	1025	320	520	36-24	15.6
900	1050	1125	320	520	36-28	16.8
1000	1170	1255	340	560	39-28	18.0
1100	1270	1355	340	560	39-32	19.2
1200	1390	1485	360	600	45-32	20.4
1400	1590	1685	380	630	45-36	22.8
1500	1710	1820	400	665	52-36	23.0
1600	1820	1930	400	700	52-40	25.2
1800	2020	2130	420	730	52-44	27.6
2000	2230	2345	440	730	56-48	30.0
2200	2440	2555	450	750	56-52	32.4
2400	2650	2765	460	770	56-56	34.8
2600	2850	2965	500	800	56-60	37.2

Severn Utilities Valves reserves the right to change product design and specification without notice. Further sizes and other technical standards on request.