

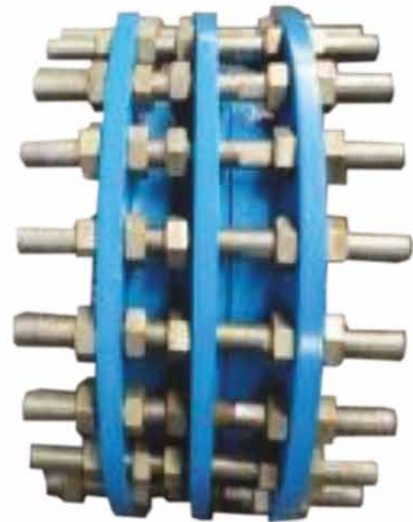
Dismantling Joint with Locking Device

DN80 – 2000, PN25

With stud and nuts to enable adjustable locking device, PN10 Flange ends on both sides in accordance to EN1092-2, ISO2532.

For easy installation and dismantling of valves and other pipeline equipment and equalisation of pipe forces.

- ✓ Flange in Accordance with BS EN1092, PN25
- ✓ Nominal Pressure: 25 bar
- ✓ Fusion Bonded Epoxy
- ✓ Rubber Ring Gasket
- ✓ Galvanized Steel Stud
- ✓ Alternative Pressure Ratings and Sizes Available On Request



Materials List

No.	Name	Material
1	Pipe	GGG40
2	Press Ring	GGG40
3	Seal Ring	EPDM
4	Body	GGG40
5	Stud	CS 8.8 galvanized
6	Nut	CS 8.8 galvanized

Technical information

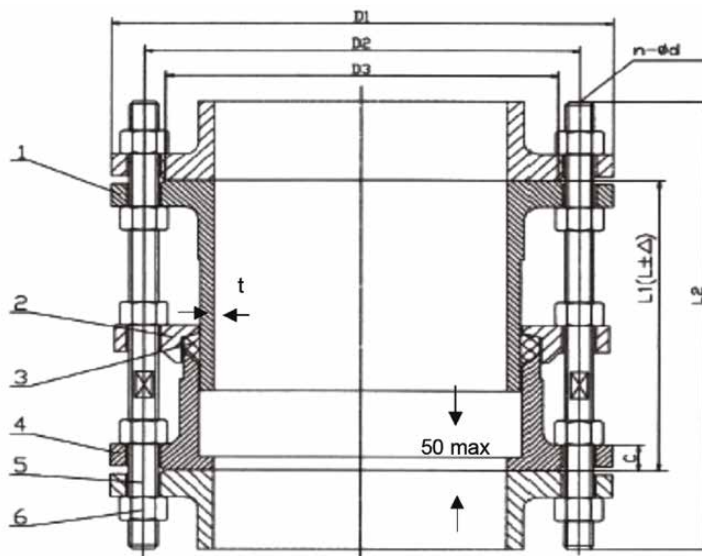
Materials for potable water as required by:



Studs and Nuts Also Available in A2 and A4 Stainless Steel

Dismantling Joint with Locking Device

DN80 – 2000, PN25



Dimensions Table

DN	D4	D5	L1	L2	d-N	t
80	160	200	210	330	19-8	7.0
100	190	235	220	340	23-8	7.2
125	220	270	220	370	28-8	7.5
150	250	300	230	370	28-8	7.8
200	310	360	230	370	28-12	8.4
250	370	425	250	410	31-12	9.0
300	430	485	250	410	31-16	9.6
350	490	555	270	440	34-16	10.2
400	550	620	280	480	37-16	10.8
450	600	670	280	480	37-20	11.4
500	660	730	300	480	37-20	12.0
600	770	845	320	520	40-20	13.2
700	875	960	340	530	43-24	14.4
800	990	1085	360	600	49-24	15.6
900	1090	1185	380	600	49-28	16.8
1000	1210	1320	400	650	56-28	18.0
1100	1310	1420	420	672	56-32	19.2
1200	1420	1530	450	720	56-32	20.4
1400	1640	1755	480	770	62-36	22.8
1600	1860	1975	510	815	62-40	25.2
1800	2070	2195	540	865	70-44	27.6
2000	2300	2425	580	930	70-48	30.0

Severn Utilities Valves reserves the right to change product design and specification without notice. Further sizes and other technical standards on request.