
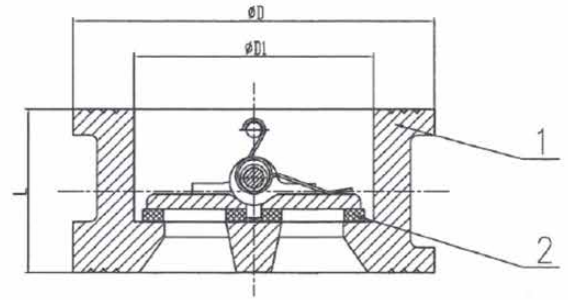


Dual Plate Check Valve – Wafer Type, Resilient Seated

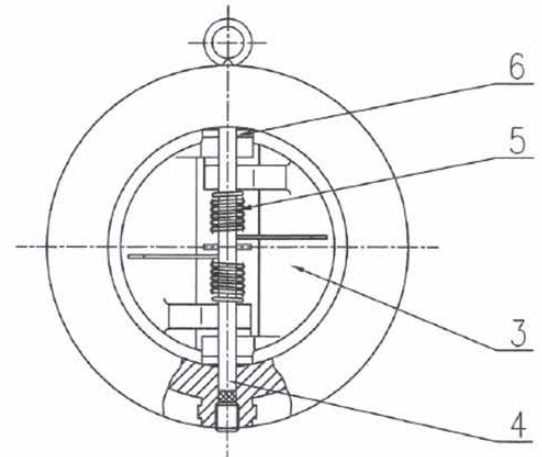
DN50 – DN600

- ✓ Design Standard to BS 5155, PN10/16
- ✓ End Flange in accordance to EN1092-2, ISO7005, PN16
- ✓ Face to face in accordance to EN558-1, ISO5752, Series 16
- ✓ Pressure test in accordance to API 598, ISO5208
- ✓ Use for water and neutral liquids to max. <100°C
- ✓ FBE coated inside and outside minimum thickness of 250 µm
- ✓ WRAS approved materials 
- ✓ DN200 – DN600 with lifting eye



Materials List

No.	Name	Material
1	Body	Ductile Iron GGG40
2	Seat	EPDM - WRAS
3	Disc	SS304L, SS316
4	Shaft	SS304, SS316, SS420
5	Spring	SS304, SS316
6	Bush	PTFE



Dimensions Table

DN	D	D1	L
50	107	65	43
65	127	80	46
80	142	94	64
100	162	117	64
125	192	145	70
150	218	170	76
200	273	224	89
250	328	265	114
300	378	310	114
350	438	360	127
400	489	410	140
450	539	450	152
500	594	505	152
600	695	624	178



Severn Utilities Valves reserves the right to change product design and specification without notice.