

Y Strainer

DN15 – DN600, PN10/16

Technical Information

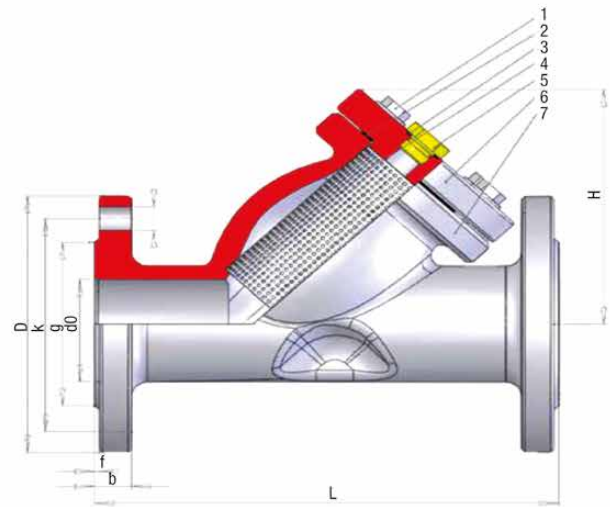
- ✓ Design To EN 12516-4
- ✓ Flanges: EN 1092-2
- ✓ Face to Face: EN 588-1, Series 1

Valve Design

- ✓ Filters: Easy to Clean
- ✓ Application: Potable Water
- ✓ Temperature: -10°C to 80°C

Materials List

Name	Material
Body and Cover	Cast Iron GG25
Filter	SS304
Filter Size	Default 20 Mesh
Coating	FBE Inside and Out



Dimensions Table

DN	L	d	g	k	D	l	b	f	Holes	KV M3/H	Weight (Kg)
15	130	15	46	65	95	14	14	2	4	3	2
20	150	20	56	75	105	14	16	2	4	3.8	3.15
25	160	25	65	85	115	14	16	3	4	4.9	3.75
32	180	32	76	100	140	19	18	3	4	7.4	6.12
40	200	40	84	110	150	19	18	3	4	8	7.32
50	230	50	99	125	165	19	20	3	4	10.89	9.75
65	290	65	118	145	185	19	20	3	4	14.6	14.2
80	310	80	132	160	200	19	22	3	8	19.8	18
100	350	100	156	180	220	19	24	3	8	28.5	25.86
125	400	125	184	210	250	19	26	3	8	41	37.6
150	480	150	211	240	285	23	26	3	8	58	50.6
200	600	200	266	295	340	23	30	3	12	101.5	90.4
250	730	250	319	355	405	28	32	3	12	188	176
300	850	300	370	410	460	28	32	4	12	233	217
350	980	350	429	470	520	28	36	4	16	375	394.4
400	1100	400	480	525	580	31	38	4	16	580	540
450	1200	450	548	585	640	31	40	4	20	-	233
500	1250	500	609	650	715	34	42	4	20	-	375
600	1450	600	720	770	840	37	48	5	20	-	580

Severn Utilities Valves reserves the right to change product design and specification without notice.