

# Metal Seated Gate Valve

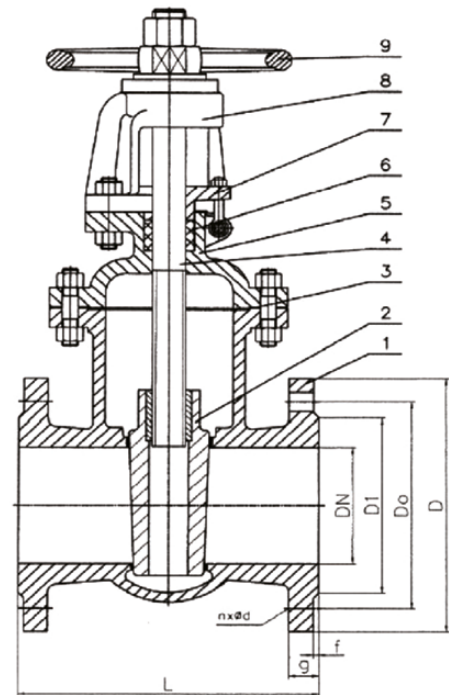
NRS – DIN F5, PN40, DN40-300

- ✓ Design standards in accordance with DIN EN12288
- ✓ Flange and drilling in accordance with DIN EN 1092-2 – PN40
- ✓ Face to face in accordance to EN558-1, basic series 15 (DIN3202, F5)
- ✓ Tests and Inspection in accordance with EN12266
- ✓ Suitable for potable water, raw water and neutral liquids
- ✓ Epoxy coated inside and outside minimum thickness of 250 µm

## Dimensions Table

| DN  | D   | D0  | D1  | g    | f | N-d   | L   |
|-----|-----|-----|-----|------|---|-------|-----|
| 40  | 150 | 110 | 88  | 22.0 | 3 | 4-18  | 240 |
| 50  | 165 | 125 | 102 | 22.0 | 3 | 4-18  | 250 |
| 65  | 185 | 145 | 122 | 22.0 | 3 | 8-18  | 270 |
| 80  | 200 | 160 | 138 | 24.0 | 3 | 8-18  | 280 |
| 100 | 235 | 190 | 162 | 24.0 | 3 | 8-22  | 300 |
| 125 | 270 | 220 | 188 | 28.0 | 3 | 8-26  | 325 |
| 150 | 300 | 250 | 218 | 28.0 | 3 | 8-26  | 350 |
| 200 | 375 | 320 | 285 | 34.0 | 3 | 12-30 | 400 |
| 250 | 450 | 385 | 345 | 40.0 | 3 | 12-33 | 450 |
| 300 | 515 | 450 | 410 | 42.0 | 4 | 16-33 | 500 |

## MSGV-Non Rising Stem – F5 – Long Pattern



## Materials List

| No. | Name      | Material           |
|-----|-----------|--------------------|
| 1   | Body      | Cast Steel GG 25   |
| 2   | Disc      | Cast Steel GG 25   |
| 3   | Gasket    | Flex Graphite +304 |
| 4   | Stem      | St. Steel 1.4021   |
| 5   | Bonnet    | GS C25             |
| 6   | Packing   | Flex Graphite      |
| 7   | Gland     | GS C25             |
| 8   | Yoke      | GS C25             |
| 9   | Handwheel | Cast Iron          |

Severn Utilities Valves reserves the right to change product design and specification without notice.