

Butterfly Valve – U Type

PN10/16 Temp -20°C to +70°C DN80 – DN1200, Nylon

Technical Information

- ✓ Comprehensive range of materials and sizes from PN10/16
- ✓ Available with wide range of actuation and operating gear
- ✓ Face to Face: EN 558-1, Series 20
- ✓ Flanges: BS EN 1092-2
- ✓ Mounting Flange: BS EN ISO5211
- ✓ Test Standards: API 598, EN 12266
- ✓ Nylon Coated Body

Material options

| No. | Name | Material |
|-----|------------------|--------------------------------------|
| 1 | Body | PN16-GGG40, PN10-GGG40 / GG25 |
| 2 | Seat | EPDM / NBR / Teflon / Viton |
| 3 | Disc | GGG40 / Nylon coating, 304/316, AlBz |
| 4 | Taper Pin | SS316 / SS416 |
| 5 | Shaft | SS240 / SS431 |
| 6 | Bearing of Shaft | PTFE DN80-350 / Bronze DN400-1200 |

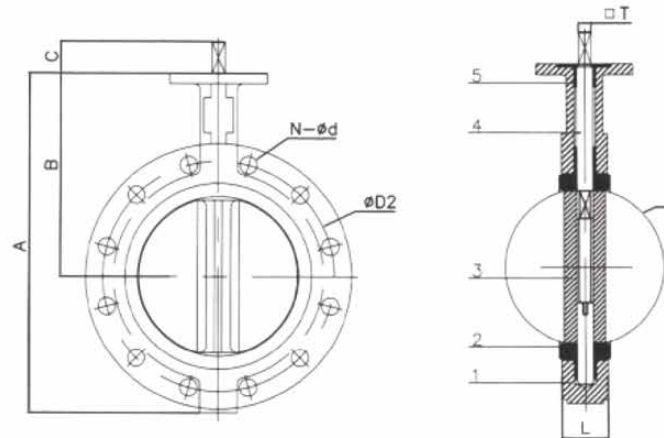
Higher grade materials available on request

Technical information

Materials for potable water as required by:



Valve Size DN80 – DN350



Dimensions table

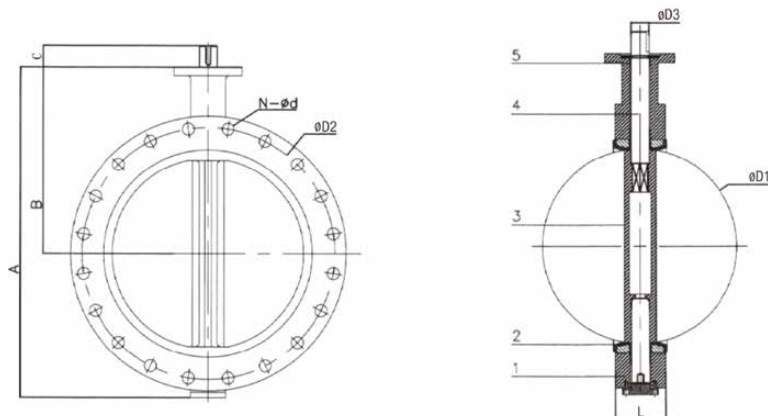
| DN | D1 | D2 PN10 | D2 PN16 | Top Flg ISO5211 | T | N-d PN10 | N-d PN16 | A | B | C | L |
|-----|-------|---------|---------|-----------------|---------|----------|----------|-----|-----|----|----|
| 80 | 78.8 | 160 | 160 | F05 | 9 x 9 | 8-18 | 8-18 | 276 | 181 | 29 | 46 |
| 100 | 104.0 | 180 | 180 | F07 | 11 x 11 | 8-18 | 8-18 | 276 | 170 | 29 | 52 |
| 125 | 123.3 | 210 | 210 | F07 | 14 x 14 | 8-18 | 8-18 | 340 | 213 | 29 | 56 |
| 150 | 155.7 | 240 | 240 | F07 | 14 x 14 | 8-22 | 8-22 | 365 | 226 | 29 | 56 |
| 200 | 202.4 | 295 | 295 | F10 | 17 x 17 | 8-22 | 12-22 | 435 | 260 | 41 | 60 |
| 250 | 250.4 | 350 | 355 | F10 | 19 x 19 | 12-22 | 12-26 | 493 | 292 | 41 | 68 |
| 300 | 301.5 | 400 | 410 | F10 | 22 x 22 | 12-22 | 12-26 | 579 | 337 | 41 | 78 |
| 350 | 333.3 | 460 | 470 | F10 | 22 x 22 | 16-22 | 16-26 | 631 | 368 | 41 | 78 |

Larger sizes available on request. Severn Utilities Valves reserves the right to change product design and specification without notice.

Butterfly Valve – U Type

PN10/16 Temp -20°C to +70°C DN80 – DN1200, Nylon

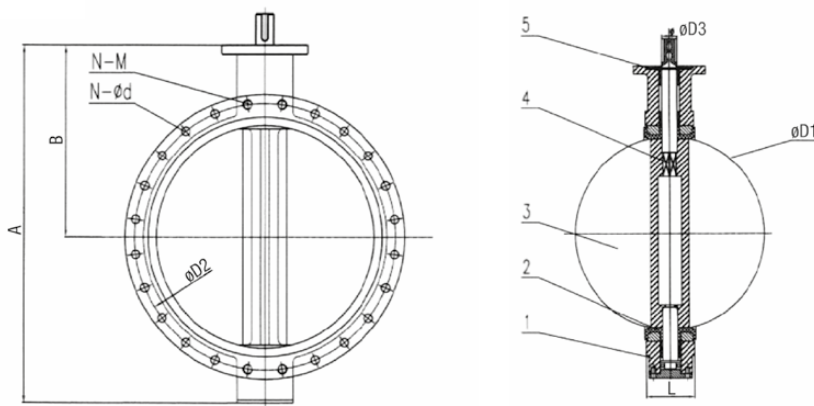
Valve Size DN400 – DN600



Dimensions table

| DN | D1 | D2 PN10 | D2 PN16 | Top Flg ISO5211 | N-d PN10 | N-d PN16 | A | B | C | L |
|-----|-------|------------|------------|--------------------|-------------|-------------|------|-----|-----|-----|
| 400 | 389.6 | 515 | 525 | F14 | 16-26 | 16-30 | 712 | 400 | 104 | 102 |
| 450 | 440.5 | 565 | 585 | F14 | 20-26 | 20-30 | 762 | 422 | 104 | 114 |
| 500 | 491.6 | 620 | 650 | F14 | 20-26 | 20-33 | 853 | 480 | 104 | 127 |
| 600 | 592.5 | 725 | 770 | F16 | 20-30 | 20-36 | 1021 | 562 | 124 | 154 |

Valve Size DN700 – DN1200



Dimensions table

| DN | D1 | D2 | D3 | Top Flg ISO5211 | N-M PN10 | N-M PN16 | N-d PN10 | N-d PN16 | A | B | C | L |
|------|--------|----------|-------|--------------------|-------------|-------------|-------------|-------------|------|-----|-----|-----|
| 700 | 695.0 | 840 | 63.35 | F25 | 4-27 | 4-33 | 20-30 | 20-36 | 1144 | 624 | 139 | 165 |
| 800 | 794.2 | 950 | 63.35 | F25 | 4-30 | 4-36 | 20-33 | 20-39 | 1263 | 672 | 139 | 190 |
| 900 | 864.3 | 1050 | 75 | F25 | 4-30 | 4-36 | 24-33 | 24-39 | 1376 | 720 | 167 | 203 |
| 1000 | 965.0 | 1160/-70 | 85 | F25 | 4-33 | 4-39 | 24-36 | 24-42 | 1521 | 800 | 167 | 216 |
| 1200 | 1264.0 | 1380/-90 | 105 | F30 | 4-36 | 4-45 | 28-39 | 28-48 | 1805 | 941 | 178 | 254 |

Larger sizes available on request. Severn Utilities Valves reserves the right to change product design and specification without notice.