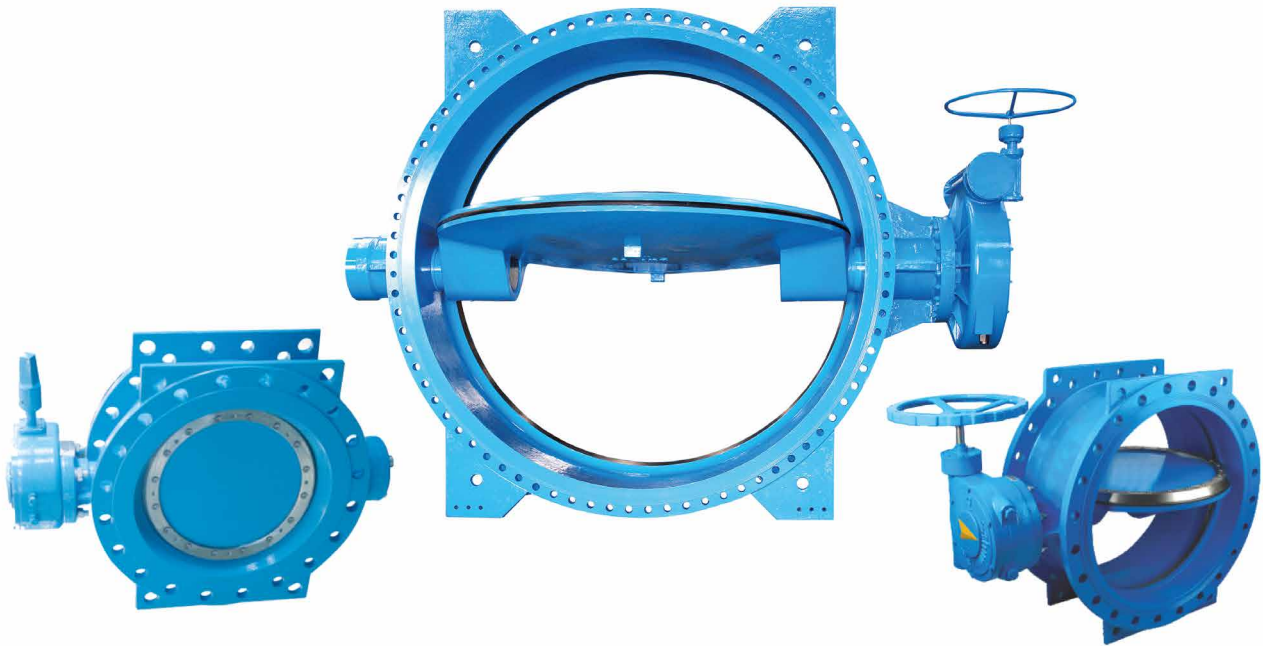


Butterfly Valve – Double Eccentric, Resilient Seated

PN10/16 Temp –20°C to 70°C DN150 to DN2800, Sizes to DN5000 on request

- ✓ Double Eccentric Disc – Low Torque, Low Wear
- ✓ Replaceable EPDM Profile Ring secured on disc
- ✓ Seat Stainless St Weld Overlay – Micro Finish
- ✓ Strong Buried Service Worm Gear Box, IP 68
- ✓ Dynamic Disc Profile – Low Headloss, No Flutter
- ✓ Disc to Shaft Connection – Double Keyway & Pin
- ✓ Robust Construction – Surge Security, Long Life
- ✓ Rapid disc disengagement from Seat
- ✓ Stainless Steel Retaining Ring – adjustable seat tension
- ✓ Valve Body & Disc Ductile Iron GGG 50
- ✓ Stainless Steel Shafts fully encapsulated
- ✓ Aluminium Bronze Bearings maintenance free
- ✓ Body & Disc Epoxy Coated 250 micron
- ✓ Fasteners Stainless Steel

Available with a wide range of gearbox options including buried duty, cap top, handwheel and actuated.



Technical information

Valve design, testing & certified materials for potable water as required by:



Manufacture

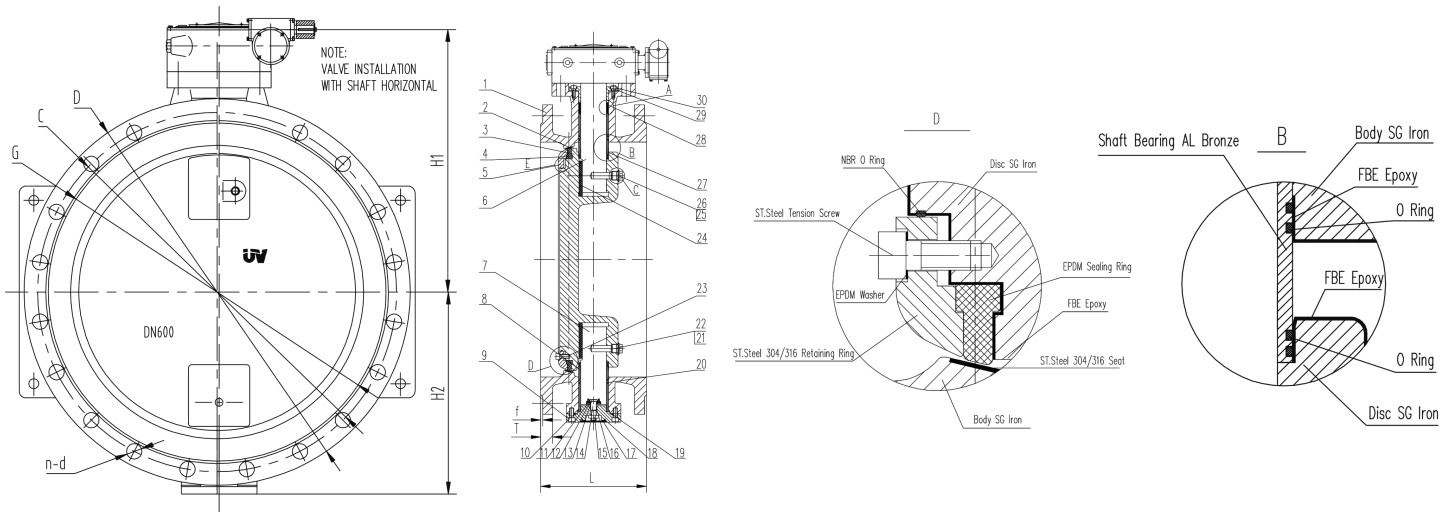
BS EN ISO9001:2008 QMS,
ISO 14001:2004 EMS.

Design Standard

EN593 & BS5155,
F/F EN558 Series 13 & 14.

Butterfly Valve – Double Eccentric, Resilient Seated

PN10/16 Temp –20°C to 70°C DN150 to DN2800, Sizes to DN5000 on request



Materials List

No.	Name & Spec	Qty	Materials
1	Body	1	Ductile Iron GGG 50
2	Body Seat Ring	1	ST. ST Weld Deposit-micro finish-304/316
3	Disc	1	Ductile Iron GGG 50
4	Sealing Ring	1	EPDM(WRAS POTABLE WATER APPROVED)
5	Retaining Ring/ 'O' Ring	1	ST. STEEL 304 +WRAS NBR 'O' Ring
6	Upper Shaft	1	ST. STEEL BS EN10088 GRADE 1.4021
7	Lower Shaft	1	ST. STEEL BS EN10088 GRADE 1.4021
8	Shaft Bearing	1	AL BRONZE -ZnCuAL10Fe3
9	Pressed Cover	1	Ductile Iron GGG 50
10	Bolts	n	ST. STEEL A2-70
11	Bolts	n	ST. STEEL A2-70
12	Fixing Plate	1	ST. STEEL 304
13	Thrust Washer	1	AL BRONZE-ZnCuAL10Fe3
14	Adjustable Bolt	1	ST. STEEL 304
15	Nut	1	ST. STEEL 304
16	'O' Ring	n	NBR
17	'O' Ring	1	NBR
18	Bolts	n	ST. STEEL A2-70
19	'O' Ring	1	NBR
20	'O' Ring	n	NBR (WRAS POTABLE WATER APPROVED)
21	Fixing Pin/Cap	1	ST. STEEL BS EN10088 GRADE 1.4021
22	'O' Ring	1	NBR(WRAS POTABLE WATER APPROVED)
23	Bolts	n	ST. STEEL 304
24	Key	2	STEEL.Gr.45/2Cr13
25	Fixing Pin/Cap	1	ST. STEEL BS EN10088 GRADE 1.4021
26	'O' Ring	1	NBR(WRAS POTABLE WATER APPROVED)
27	Shaft Bearing	1	AL BRONZE-ZnCuAL10Fe3
28	Chevron Seals	n	NBR(POTABLE WATER APPROVED)
29	Bolts	n	STEEL-GRADE 12.9/ST. STEEL
30	Pressed Plate	1	STEEL

Dimensions table

DN	Overall Dimensions								Face to Face	
	H1	H2	D	C	G	f	T	n-d	BSEN558 Series13	BSEN558 Series14
150	226	165	285	240	212	3	19	8-φ23	140	210
200	255	192	340	295	268	3	20	12-φ23	152	230
250	293	227	405	355	320	3	22	12-φ28	165	250
300	326	260	460	410	378	4	24.5	12-φ28	178	270
400	423	346	580	525	490	4	28	16-φ31	216	310
450	455	385	640	585	550	4	30	20-φ31	222	330
500	506	422	715	650	610	4	31.5	20-φ34	229	350
600	568	490	840	770	725	5	36	20-φ37	267	390
700	632	550	910	840	795	5	39.5	24-φ37	292	430
800	692	615	1025	950	900	5	43	24-φ40	318	470
900	815	678	1125	1050	1000	5	46.5	28-φ40	330	510
1000	880	743	1255	1170	1115	5	50	28-φ43	410	550
1200	1024	860	1485	1390	1330	5	57	32-φ49	470	630
1400	1210	1010	1685	1590	1530	5	60	36-φ49	530	710
1500	1300	1090	1820	1710	1642	5	62.5	36-φ57	565	-
1600	1340	1140	1930	1820	1750	5	65	40-φ56	600	790
1800	1460	1360	2130	2020	1950	5	70	44-φ56	670	870
2000	1660	1485	2345	2230	2150	5	75	48-φ62	760	950
2200	1760	1617	2550	2440	2370	6	60	52-φ56	800	1000
2400	1885	1745	2760	2655	2570	6	62	56-φ56	850	1100
2600	2004	1837	2960	2850	2780	6	64	60-φ56	900	1200
2800	2134	1947	3180	3070	3000	6	74	64-φ56	950	1300

Sizes up to DN5000 on request.

Severn Utilities Valves reserves the right to change product design and specification without notice