

Butterfly Valve – U Type

PN10/16 Temp -20°C to $+70^{\circ}\text{C}$ DN80 – DN1200, FBE

- ✓ Comprehensive range of materials and sizes from PN10/16
- ✓ Available with wide range of actuation and operating gear
- ✓ Face to Face: EN 558-1, Series 20
- ✓ Flanges: BS EN 1092-2
- ✓ Mounting Flange: BS EN ISO5211
- ✓ Test Standards: API 598, EN 12266
- ✓ FBE Coated to a minimum of 250 μm

Material Options

No.	Name	Material
1	Body	PN16-GGG40, PN10-GGG40 / GG25
2	Seat	EPDM/NBR / Teflon / Viton
3	Disc	GGG40 / Epoxy coating, 304/316, AIBz
4	Shaft	SS420 / SS431
5	Shaft Bearing	PTFE DN80-350 / Bronze DN400-1200

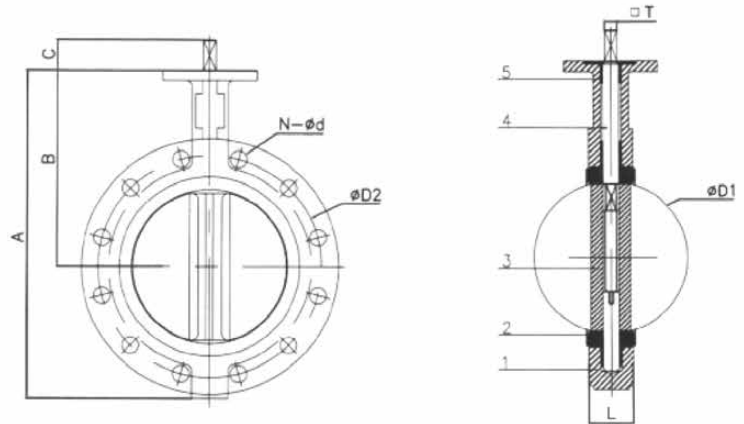
Higher grade materials available on request

Technical information

Materials for potable water as required by:



Valve Size DN80 – DN350



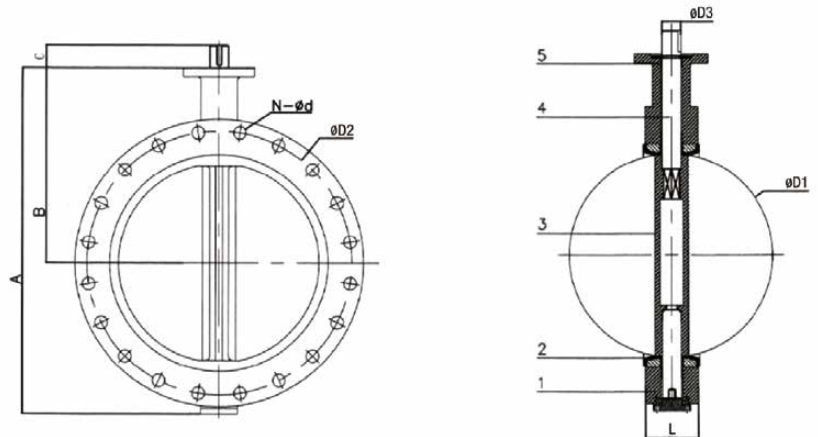
Dimensions table

DN	D1	D2 PN10	D2 PN16	Top Flg ISO5211	T	N-d PN10	N-d PN16	A	B	C	L
80	78.8	160	160	F05	9 x 9	8-18	8-18	276	181	29	46
100	104.0	180	180	F07	11 x 11	8-18	8-18	276	170	29	52
125	123.3	210	210	F07	14 x 14	8-18	8-18	340	213	29	56
150	155.7	240	240	F07	14 x 14	8-22	8-22	365	226	29	56
200	202.4	295	295	F10	17 x 17	8-22	12-22	435	260	41	60
250	250.4	350	355	F10	19 x 19	12-22	12-26	493	292	41	68
300	301.5	400	410	F10	22 x 22	12-22	12-26	579	337	41	78
350	333.3	460	470	F10	22 x 22	16-22	16-26	631	368	41	78

Butterfly Valve – U Type

PN10/16 Temp -20°C to +70°C DN80 – DN1200, FBE

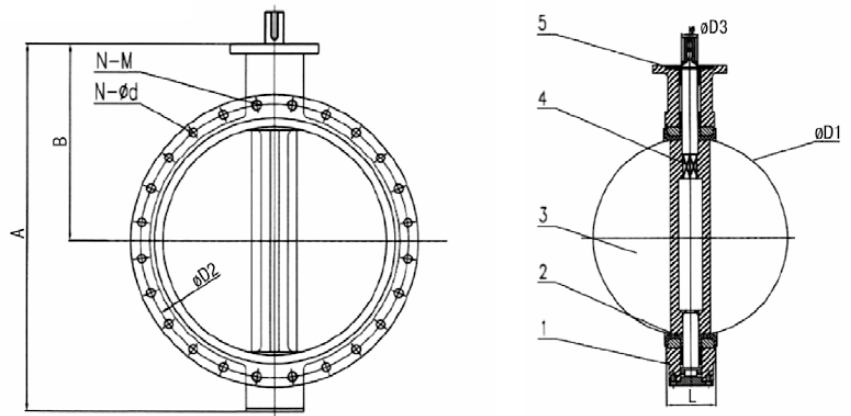
Valve Size DN400 – DN600



Dimensions table

DN	D1	D2 PN10	D2 PN16	Top Flg ISO5211	N-d PN10	N-d PN16	A	B	C	L
400	389.6	515	525	F14	16-26	16-30	712	400	104	102
450	440.5	565	585	F14	20-26	20-30	762	422	104	114
500	491.6	620	650	F14	20-26	20-33	853	480	104	127
600	592.5	725	770	F16	20-30	20-36	1021	562	124	154

Valve Size DN700 – DN1200



Dimensions table

DN	D1	D2 PN10	D2 PN16	Top Flg ISO5211	N-M PN10	N-M PN16	N-d PN10	N-d PN16	A	B	C	L
700	695.0	840	63.35	F25	4-27	4-33	20-30	20-36	1144	624	139	165
800	794.2	950	63.35	F25	4-30	4-36	20-33	20-39	1263	672	139	190
900	864.3	1050	75	F25	4-30	4-36	24-33	24-39	1376	720	167	203
1000	965.0	1160/-70	85	F25	4-33	4-39	24-36	24-42	1521	800	167	216
1200	1264.0	1380/-90	105	F30	4-36	4-45	28-39	28-48	1805	941	178	254

Larger sizes available on request. Severn Utilities Valves reserves the right to change product design and specification without notice.